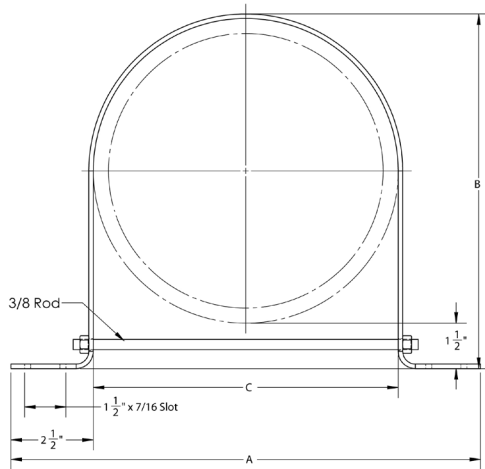


# FIG. DPCSS

## manhole drop pipe clamp



Materials/Finishes:	T-304 Stainless (DPCSS)
Variants:	N/A
Service:	Designed for easy installation and support of manhole drop pipe.
Approvals:	N/A
Ordering:	Specify figure number, size 4"-12", SDR-35, DIP/C-900 or IPS.
Notes:	Mounting Kit (DPCSSKIT) also available.

PIPE SIZE	SDR-35 PIPE OD	ROD LENGTH	A	B	C	WGT EACH (lbs)
4	4.215	5.875	9.215	5.865	4.514	0.576
6	6.275	7.625	11.275	7.925	6.574	0.754
8	8.400	10.250	13.400	10.050	8.700	1.021
10	10.500	12.250	15.500	12.150	10.800	1.091
12	12.500	14.250	17.500	14.150	12.800	1.257

PIPE SIZE	IPS PIPE OD	ROD LENGTH	A	B	C	WGT EACH (lbs)
4	4.500	6.375	9.500	6.150	4.800	0.662
6	6.625	8.000	11.625	8.275	6.924	0.849
8	8.625	10.500	13.625	10.275	8.924	0.937
10	10.750	12.500	15.750	12.400	11.050	1.201
12	12.750	14.500	17.750	14.400	13.050	1.465

PIPE SIZE	DIP/C-900 PIPE OD	ROD LENGTH	A	B	C	WGT EACH (lbs)
4	4.800	6.500	9.800	6.450	5.100	0.650
6	6.900	8.000	11.900	8.550	7.200	0.841
8	9.050	10.500	14.050	10.700	9.350	1.071
10	11.100	12.500	16.100	12.750	11.400	1.271
12	13.200	14.500	18.200	14.850	12.800	1.462

# REFERENCE GUIDES

## maximum horizontal spacing between hangers/supports

NOM. PIPE OR TUBE DIA.	STANDARD WEIGHT STEEL PIPE		COPPER TUBE	
	WATER SERVICE (FT)	VAPOR SERVICE (FT)	WATER SERVICE (FT)	VAPOR SERVICE (FT)
1/4	7	8	5	5
3/8	7	8	5	6
1/2	7	8	5	6
3/4	7	9	5	7
1	7	9	6	8
1-1/4	7	9	7	9
1-1/2	9	12	8	10
2	10	13	8	11
2-1/2	11	14	9	13
3	12	15	10	14
3-1/2	13	16	11	15
4	14	17	12	16
5	16	19	13	18
6	17	21	14	20
8	19	24	16	23
10	22	26	18	25
12	23	30	19	28
14	25	32	-	-
16	27	35	-	-
18	28	37	-	-
20	30	39	-	-
20	32	42	-	-
24	33	44	-	-