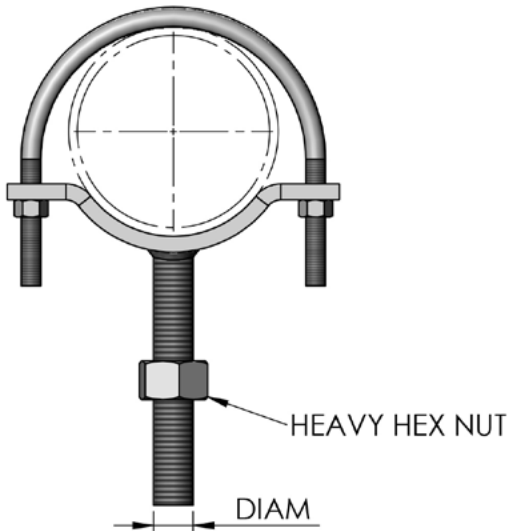


FIG. 422UDIP adjustable pipe support w/ u-bolt for ductile iron pipe



Materials/Finishes:	Plain Carbon Steel (422UDIPB)	Electro-Galvanized (422UDIPG)
	Hot-Dip Galvanized (422UDIPHDG)	T-304 Stainless Steel (422UDIPSS)
	T-316 Stainless Steel (422UDIPSX)	
Variants:	N/A	
Service:	Designed to be used in conjunction with a standard pipe and flange at the base to support piping where an overhead supporting member is not available. The stem is threaded the full length with a nut to allow vertical adjustment to accommodate the pitch in the pipe line.	
Ordering:	Specify figure number, finish and pipe size	
Notes:	Base stand can be ordered separately (requires accurate center line of pipe to floor dimension).	

DIP SIZE	DIAMETER X LENGTH OF STEM	WGT EACH (lbs)
3	7/8 x 8	3.3
4	1 x 8	4.5
6	1-1/4 x 8	8.5
8	1-1/4 x 8	9.6
10	1-1/2 x 8	15.6
12	1-1/2 x 8	19.3

PROJECT INFORMATION			APPROVAL STAMP
Project:			Notes:
Address:			
Contractor:			
Engineer:			
Date:			
Approved	Approved as Noted	Not Approved	