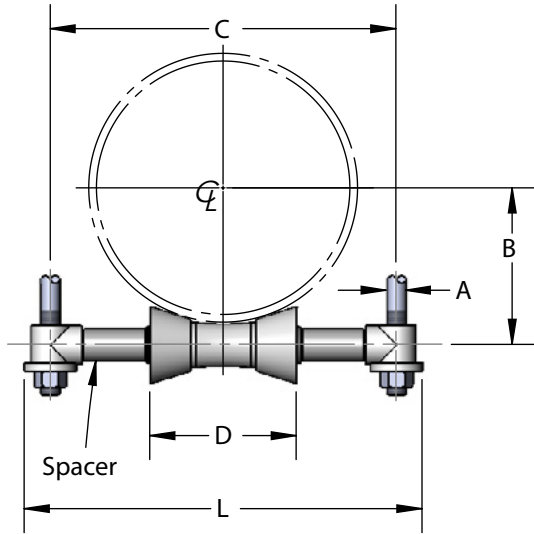


## FIG. 277SR

adjustable two rod roller hanger  
with short pattern roll, stainless steel



Materials/Finishes:	T-304 Stainless Steel (277SRSS)	T-316 Stainless Steel (277SRSX)
Variants:	N/A	
Service:	Designed for the suspension of pipe where longitudinal movement may occur due to expansion and contraction, and vertical adjustment is necessary.	
Approvals:	Complies with Federal Specification WW-H-171-E (Type# 42), A-A-1192 A (Type# 41) and Manufacturers' Standardization Society MSS SP-58 and SP-69 (Type# 41).	
Ordering:	Specify figure number, finish and roller size. Please remember to consider insulation thickness when sizing rollers	
Notes:	Available Domestic. Stainless steel hangers are recommended for applications where protection from a corrosive environment is required. Empire furnishes drop rods to specified length and double roller assemblies. Ordered separately.	

SIZE NO.	A	B	C	D	L	CROSS ROD DIA.	MAX REC LOAD (lbs)
4	3/4	2-15/16	7	3-3/4	8-3/4	3/4	400
6	3/4	4	9-7/8	3-3/4	11-5/8	3/4	580
8	7/8	5-3/8	12-3/16	6	14-3/8	7/8	1300
10	7/8	6-7/16	14-1/16	6	16-1/8	7/8	1075
12	1	7-3/4	16-3/8	8	19-1/8	1-1/8	775
14	1	8-3/8	18-1/16	8	20-3/4	1-1/8	1500
16	1-1/4	9-9/16	20-7/8	8-7/8	23-5/8	1-1/4	1150
18	1-1/4	10-9/16	22-3/8	8-7/8	25-1/8	1-1/4	1250
20	1-1/4	11-9/16	24-1/4	8-7/8	27-1/8	1-1/4	1000

PROJECT INFORMATION			APPROVAL STAMP
Project:			Notes:
Address:			
Contractor:			
Engineer:			
Date:			
Approved	Approved as Noted	Not Approved	