

±5" Axial Movement, ±1" Guide Gap

SERVICE: To support pipe while providing large axial movement and moderate lateral movement with guidance. Pad to be welded to structure and body welded to pipe. Slide bearing provides low coefficient of friction between body and pad to reduce stress on the pipe and supporting structure.

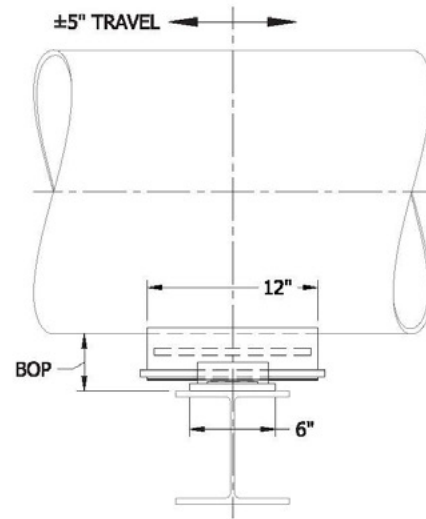
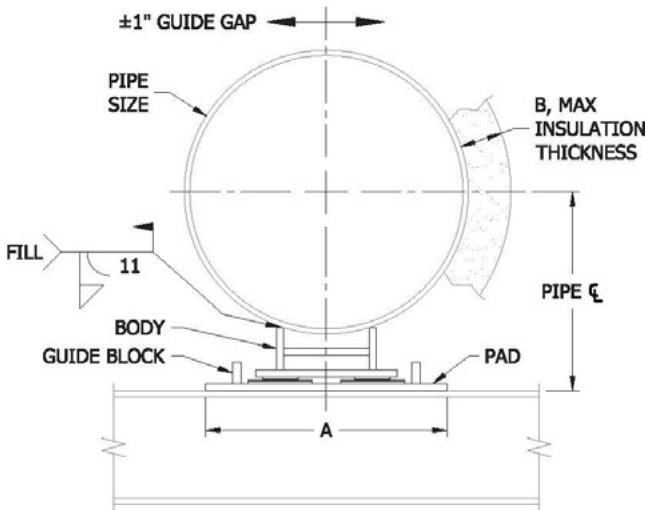
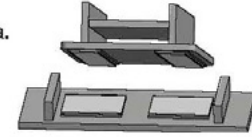
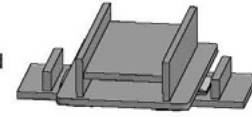
MATERIAL: Carbon Steel meeting ASTM A36
Stainless Steel meeting ASTM A240 Type 304 and 316
Slide Bearing: PTFE-on-PTFE, 3/32" thick glass filled PTFE bonded to 10 ga. back-up plate, 2000 psi compressive strength at 70°F (Note 2)

FINISH: Black or Hot-Dip Galvanized meeting ASTM A123

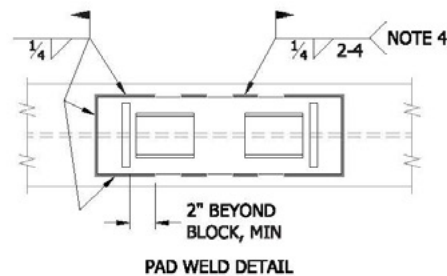
MAX TEMP: At Pipe Wall: 650°F for Black, 350°F for Hot-Dip Galvanized.
At PTFE Bearing 300°F (Note 2 & 3).

STANDARDS: MSS SP-58 Type 35, FS A-A-1192A Type 35

ORDERING: Specify figure number, pipe size, and finish



| PIPE SIZE | PIPE cL | BOP | A | B | WEIGHT EACH, LBS | VERTICAL DOWN LOAD | LATERAL LOAD |
|-----------|---------------------------------|---------------------------------|--------------------------------|-------------------------------|------------------|--------------------|--------------|
| 6 | 8 | 4 ¹¹ / ₁₆ | 10 | 3 ¹ / ₂ | 26 | 12000 | 3000 |
| 8 | 9 | 4 ¹¹ / ₁₆ | 10 | 3 ¹ / ₂ | 26 | 12000 | 3000 |
| 10 | 9 ⁷ / ₁₆ | 4 ¹ / ₂ | 12 ¹ / ₂ | 3 ¹ / ₂ | 38 | 16000 | 4000 |
| 12 | 11 | 4 ⁵ / ₁₆ | 12 ¹ / ₂ | 3 ¹ / ₂ | 38 | 16000 | 4000 |
| 14 | 11 ¹ / ₁₆ | 4 ¹ / ₈ | 14 ¹ / ₂ | 3 | 54 | 16000 | 4000 |
| 16 | 12 ³ / ₁₆ | 4 ³ / ₁₆ | 14 ¹ / ₂ | 3 | 54 | 16000 | 4000 |
| 18 | 12 ⁷ / ₁₆ | 3 ⁷ / ₁₆ | 17 | 3 | 59 | 16000 | 4000 |
| 20 | 14 | 4 | 17 | 3 | 59 | 16000 | 4000 |
| 24 | 15 ⁷ / ₁₆ | 3 ⁷ / ₈ | 19 | 3 | 68 | 24000 | 6000 |
| 30 | 19 ⁷ / ₁₆ | 4 ⁷ / ₈ | 21 | 4 | 81 | 24000 | 6000 |
| 36 | 23 ¹ / ₄ | 5 ¹ / ₄ | 23 | 4 | 112 | 24000 | 6000 |



NOTES:

- Special fabricated configurations available upon request for options: pad bolted to structure, body clamped to pipe, specified bottom of pipe (BOP), custom axial / lateral travel, insulation banding slots, heat loss notches, etc. Provide performance criteria and dimensions.
- Allowable vertical load at 70°F bearing temperature. See Supplemental Data for load reduction factors at higher bearing temperatures. For bearing temperatures 300°F to 500°F, specify High Temperature adhesive (-HT).
- Pad may be seal welded to structure with all-around weld.
- Body interchangeable with 955S, 955G, and 955U pads for same pipe size and "A" dimension.
- See Fig 955 Supplemental Data for other structural attachment details, slide bearing information, etc.

| PROJECT INFORMATION | | | APPROVAL STAMP |
|---------------------|-------------------|--------------|----------------|
| Project: | | | Notes: |
| Address: | | | |
| Contractor: | | | |
| Engineer: | | | |
| Date: | | | |
| Approved | Approved as Noted | Not Approved | |